



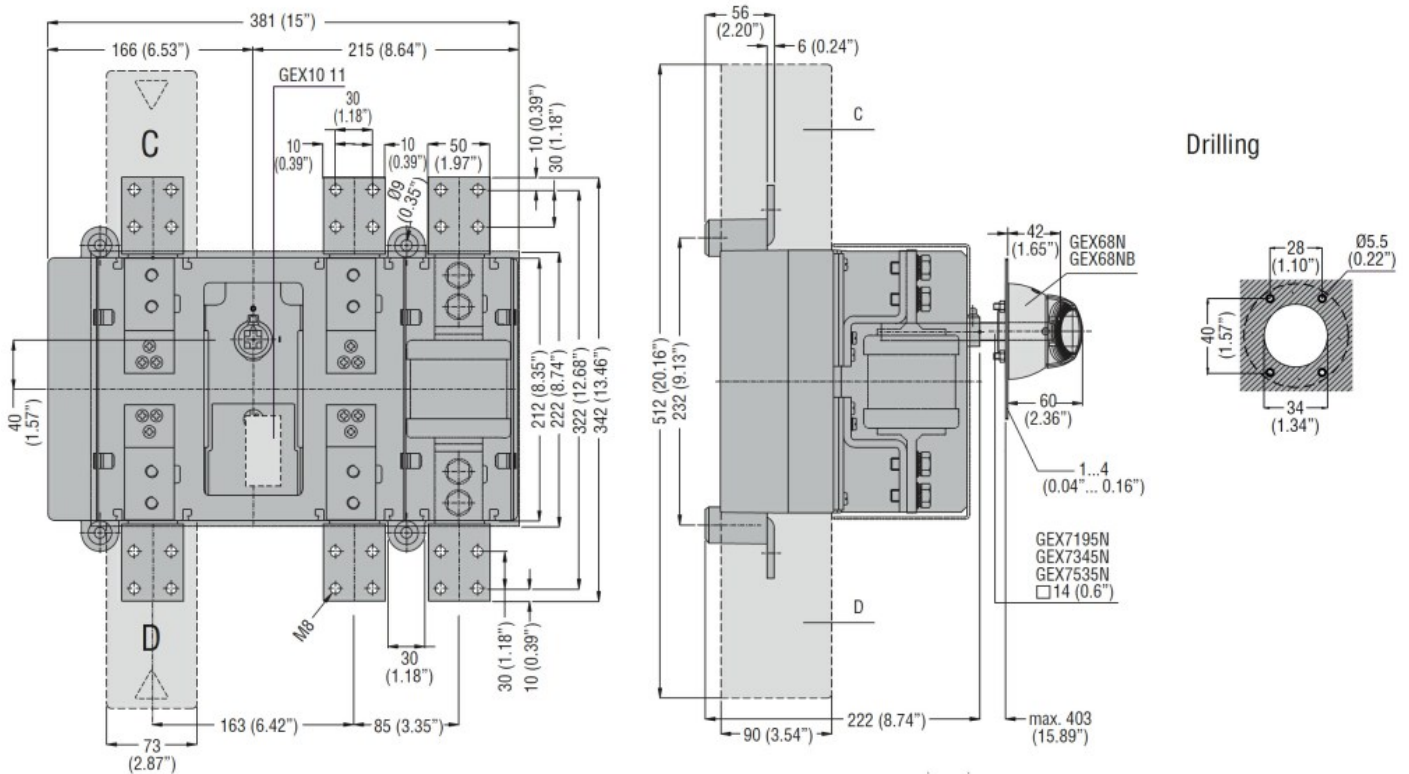
Product designation				Switch disconnecter with fuse
Product type designation				GE
Type of fuse				BS
Number of poles	Nr.			3
Operating voltage type				AC
<b>Contact characteristics</b>				
IEC Conventional free air thermal current I <sub>th</sub>	A			800
Rated insulation voltage U <sub>i</sub> IEC/EN	V			1000
Rated impulse withstand voltage U <sub>imp</sub>	kV			12
Operating current I <sub>e</sub>				
AC21A				
	400V	A	800	
	500V	A	800	
	690V	A	630	
AC22A				
	400V	A	800	
	500V	A	800	
	690V	A	630	
AC23A				
	400V	A	630	
	500V	A	630	
	690V	A	400	
Power dissipation per pole max		W	63	
Rated operational power AC23A				
	400V	kW	355	
	690V	kW	370	
Conditional short-circuit current (rms)		kA	100	
Specific let through energy I <sup>2</sup> t		kA <sup>2</sup> s	4.6	
Making capacity AC23A 400V		A	6300	
Breaking capacity AC23A 400V		A	5100	
Mechanical life		cycles	5000	
Electrical life AC21A		cycles	500 (AC23A 400V)	
<b>Mechanical features</b>				
Operating position		normal allowable	Vertical plan Any	
Fixing			Screw	
Terminals		type screw	Bar 4x M8	
Tightening torque for terminals				
	max	Nm	13	
	max	lbin	10	

Bar dimensions max	50x6		
Ambient conditions			
Operating temperature	min	°C	-25
	max	°C	55
Storage temperature	min	°C	-40
	max	°C	70
Max altitude	m		3000

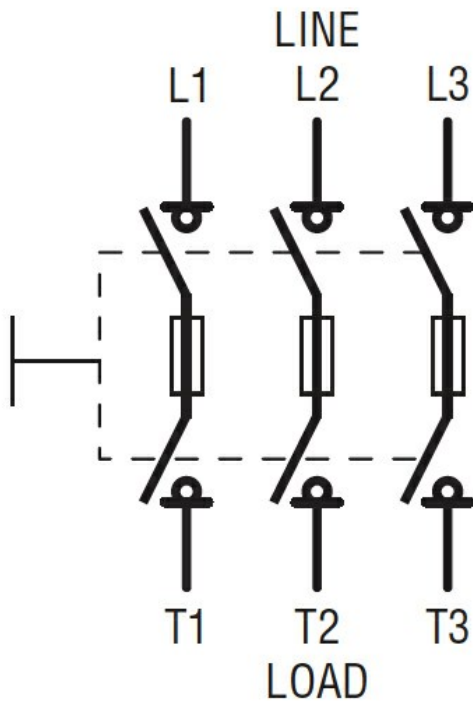
**Resistance & Protection**

Frontal IP degree	IP20
Pollution degree	3

**Dimensions**



**Wiring diagrams**



**Certifications and compliance**

Compliance

IEC/EN 60947-1

IEC/EN 60947-3

Certifications

EAC

**ETIM classification**

ETIM 8.0

EC000216 -  
 Switch  
 disconnecter