

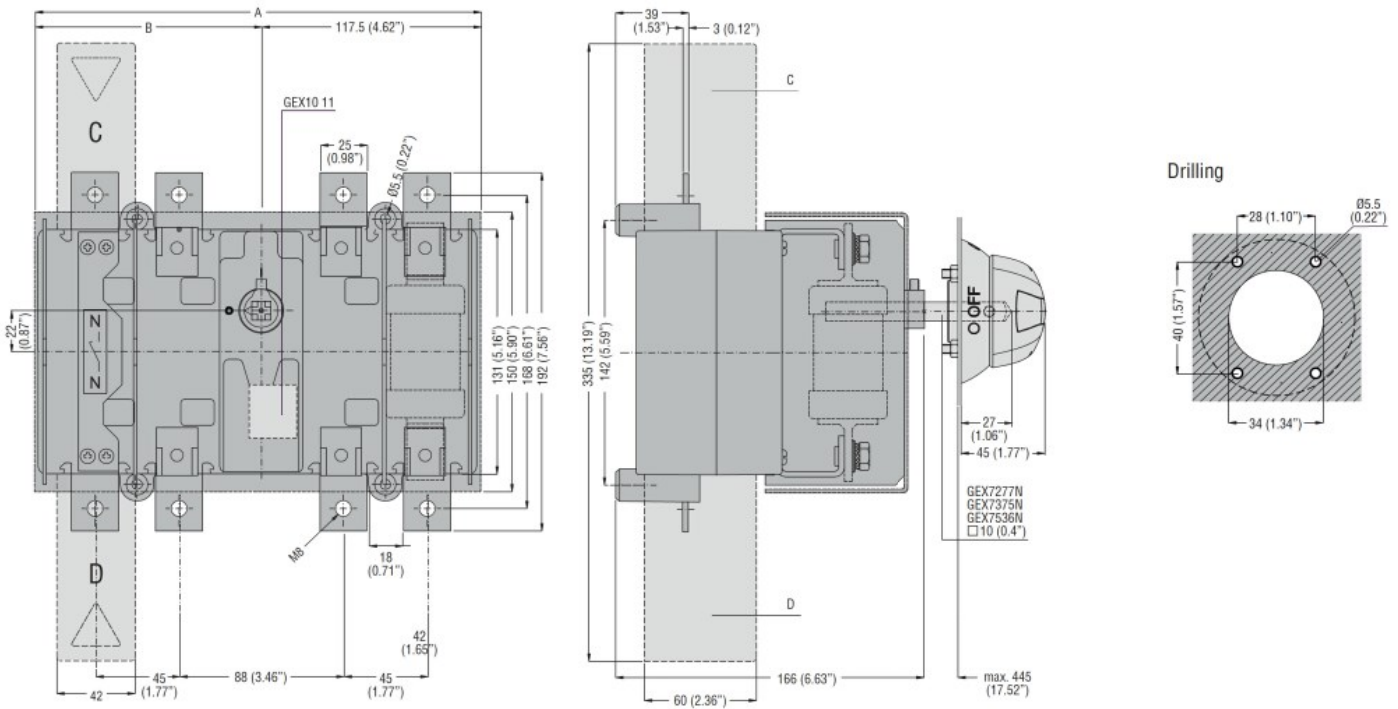


Product designation				Switch disconnecter with fuse
Product type designation				GE
Type of fuse				BS
Number of poles	Nr.			4
Operating voltage type				AC
Contact characteristics				
IEC Conventional free air thermal current I _{th}	A			200
Rated insulation voltage U _i IEC/EN	V			800
Rated impulse withstand voltage U _{imp}	kV			8
Operating current I _e				
AC21A	400V	A	200	
	500V	A	200	
	690V	A	200	
AC22A	400V	A	200	
	500V	A	200	
	690V	A	200	
AC23A	400V	A	200	
	500V	A	200	
	690V	A	160	
Power dissipation per pole max	W			13
Rated operational power AC23A	400V	kW	110	
	690V	kW	132	
Conditional short-circuit current (rms)	kA			100
Specific let through energy I ² t	kA ² s			0.478
Making capacity AC23A 400V	A			2000
Breaking capacity AC23A 400V	A			1600
Mechanical life	cycles			10000
Electrical life AC21A	cycles			1000 (AC23A 400V)
Mechanical features				
Operating position	normal allowable		Vertical plan Any	
Fixing				Screw
Terminals	type screw		Bar M8	
Tightening torque for terminals	max	Nm	13	
	max	lbin	10	

Bar dimensions max	25x3		
Ambient conditions			
Operating temperature	min	°C	-25
	max	°C	55
Storage temperature			
	min	°C	-40
	max	°C	70
Max altitude	m	3000	

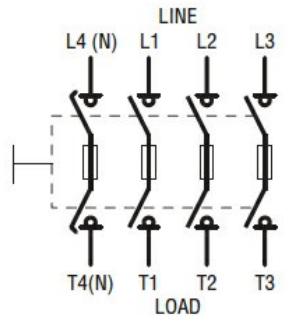
Resistance & Protection			
Frontal IP degree	IP20		
Pollution degree	3		

Dimensions



Wiring diagrams

Four-pole disconnectors with fuse holders
GE0050 FT4 - GE0125 FT4
GE0160 NT4 - GE0800 NT4
GE0160 BT4 - GE0800 BT4



Certifications and compliance

Compliance	IEC/EN 60947-1
	IEC/EN 60947-3

Certifications

EAC

ETIM classification

ETIM 8.0

EC000216 -
Switch
disconnector