

Product designation				Rotary cam switches
Product type designation				GN315
<b>General characteristics</b>				
Switching diagram				12 - Star-delta motor starter switch
N° of elements				4
Mounting form				O - Rear mounting with black handle
<b>Contact characteristics</b>				
Rated insulation voltage $U_i$	IEC/EN	V	690	
	UL/CSA	V	600	
Rated impulse withstand voltage $U_{imp}$		kV	8	
Conventional free air thermal current $I_{th}$	IEC/EN	A	315	
	UL/CSA	A	255	
Rated operational voltage		V	690	
Rated operational impulse voltage		kV	6	
Maximum fuse size for short-circuit protection $I_n$ (gG)	10kA	A	315	
	15kA	A	315	
Rated short time current $I_{cw}$	1s	kA	5200	
Operational current $I_e$ IEC/EN AC1/AC21A		A	315	
Rated operational power in AC Three-phase AC-3	220/230V	kW	37	
	380/440V	kW	55	
	500/690V	kW	69	
Single-phase AC-3	110V	kW	11	
	220/230V	kW	22	
	380/440V	kW	30	
Rated operational current in DC DC21A	48V	A	200	
	60V	A	200	
	110V	A	35	
	220V	A	2.5	
	440V	A	0.9	
Power dissipation		W	64.5	
<b>Mechanical features</b>				
Terminals screw				M10
Tightening torque for terminals max				Nm 10
Conductor size	AWG - Rigid cable			
	Max	AWG	1XMCM350	
	AWG - Flexible cable			

Conductor size (IEC) - Flexible cable	Max	AWG	1XMCM350
Conductor size (IEC) - Rigid cable	Max	mm <sup>2</sup>	1X185
Mechanical life	Max	mm <sup>2</sup>	1X185
		cycles	2X10 <sup>5</sup>

**UL technical data**

Motor power for direct-on-line control

for three-phase motor

120V	HP	30
240V	HP	50
480V	HP	100
600V	HP	75

for single-phase motor

120V	HP	15
240V	HP	30

**Ambient conditions**

Temperature

Operating temperature

min	°C	-25
max	°C	+55

Storage temperature

min	°C	-40
max	°C	+70

**Resistance & Protection**

Frontal IP degree

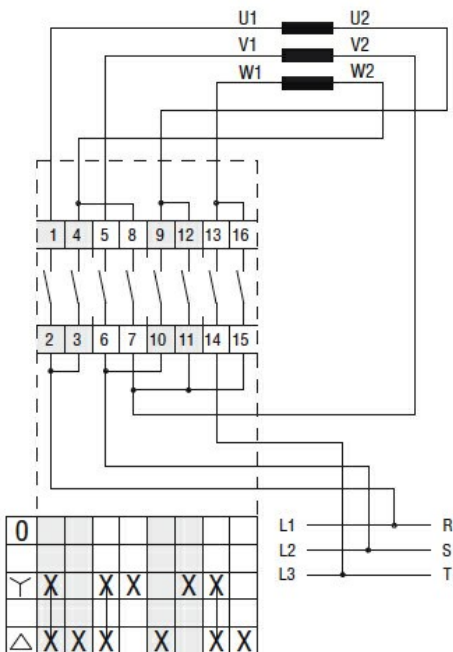
IP40

Terminals IP degree

IP00

**Dimensions**

**Wiring diagrams**



**Certifications and compliance**

Compliance

IEC/EN/BS 60947-1

IEC/EN/BS 60947-3

---

IEC/EN/BS 60947-5-1

---

UL60947-4-1

---

Certificates

UR

ETIM classification

ETIM 8.0

EC001029 -  
Selector switch,  
complete