



Product designation

Auxiliary
contactor
BF00

Product type designation

Contact characteristics

Number of poles	Nr.	4
Rated insulation voltage U_i IEC/EN	V	690
Rated impulse withstand voltage U_{imp}	kV	6

Operational frequency

min	Hz	25
max	Hz	400

IEC Conventional free air thermal current I_{th}

A	10
---	----

Protection fuse

gG (IEC)	A	25
----------	---	----

Tightening torque for terminals

min	Nm	1.5
max	Nm	1.8
min	lbin	1.1
max	lbin	1.5

Tightening torque for coil terminal

min	Nm	0.8
max	Nm	1
min	lbin	0.8
max	lbin	0.74

Max number of wires simultaneously connectable

Nr.	2
-----	---

Conductor section

AWG/Kcmil

max	10
-----	----

Flexible w/o lug conductor section

min	mm ²	1
max	mm ²	6

Flexible c/w lug conductor section

min	mm ²	1
max	mm ²	4

Flexible with insulated spade lug conductor section

min	mm ²	1
max	mm ²	4

Power terminal protection according to IEC/EN 60529

IP20 when
properly wired

Mechanical features

Operating position

normal allowable	Vertical plan ±30°
---------------------	-----------------------

Fixing

Screw / DIN rail
35mm

Weight

g	356
---	-----

Auxiliary contact characteristics

Thermal current Ith		A	10
IEC/EN 60947-5-1 designation			A600 - P600
Operating current AC15	230V	A	3
	400V	A	1.9
	500V	A	1.4
Operating current DC12	110V	A	5.7
Operating current DC13	24V	A	5.7
	48V	A	2.9
	60V	A	2.3
	110V	A	1.25
	125V	A	1.1
	220V	A	0.55
	600V	A	0.2
Operations			
Mechanical life		cycles	20000000
Safety related data			
Performance level B10d according to EN/ISO 13489-1		mechanical load	cycles 20000000
EMC compatibility			yes
AC coil operating			
Rated AC voltage at 60Hz		V	575
AC operating voltage	of 60Hz coil powered at 60Hz		
	pick-up	min %Us	80
		max %Us	110
	drop-out	min %Us	20
		max %Us	55
AC average coil consumption at 20°C	of 60Hz coil powered at 60Hz		
		in-rush VA	75
		holding VA	9
Dissipation at holding ≤20°C 50Hz		W	2.5
Max cycles frequency			
Mechanical operation		cycles/h	3600
Operating times			
Average time for Us control	in AC		
	Closing NO	min ms	8
		max ms	24
	Opening NO	min ms	10
		max ms	20
	Closing NC	min ms	9
		max ms	25
	Opening NC	min ms	9
		max ms	15

UL technical data

Rated operational voltage AC (UL)	V	600
General USE		
Auxiliary contacts	AC current	A 10
Contact rating of auxiliary contacts according to UL		A600 - P600

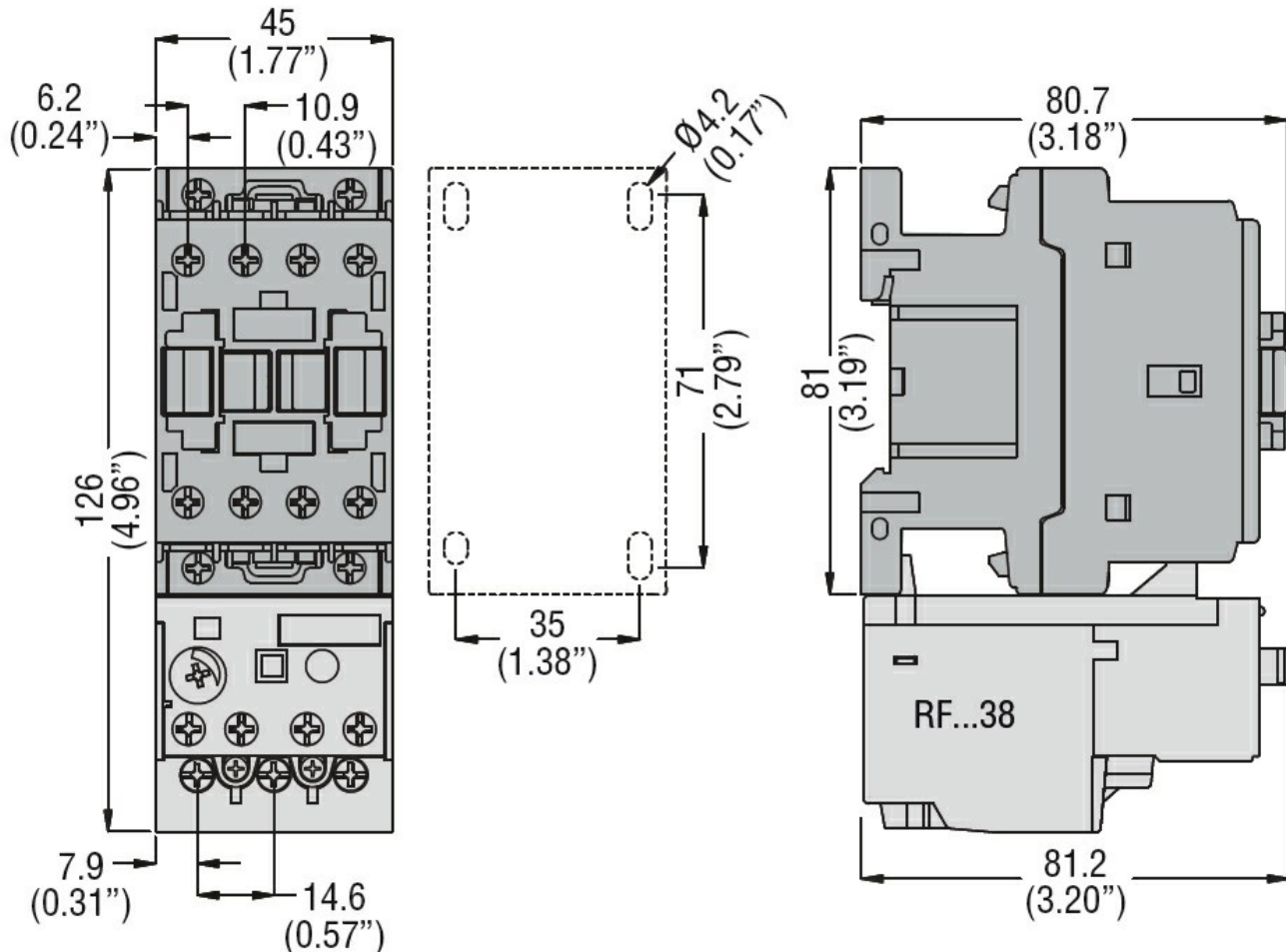
Ambient conditions

Temperature			
Operating temperature	min	°C	-50
	max	°C	70
Storage temperature	min	°C	-60
	max	°C	80
Max altitude	m		3000

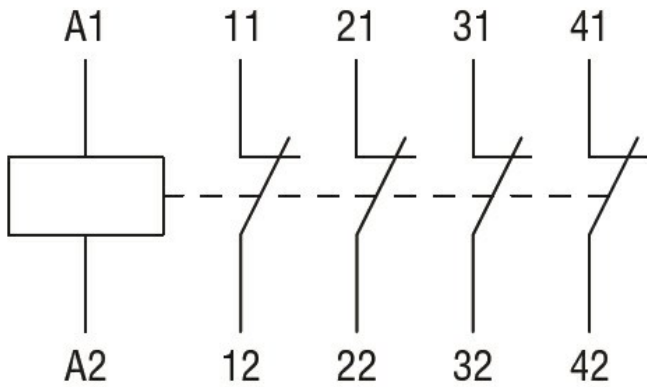
Resistance & Protection

Pollution degree		3
------------------	--	---

Dimensions



Wiring diagrams



Certifications and compliance

Compliance

CSA C22.2 n° 60947-1
 CSA C22.2 n° 60947-5-1
 IEC/EN 60947-1
 IEC/EN 60947-5-1
 UL 60947-1
 UL 60947-5-1

Certificates

CCC
 cULus
 EAC

ETIM classification

ETIM 8.0

EC000196 -
 Contactor relay