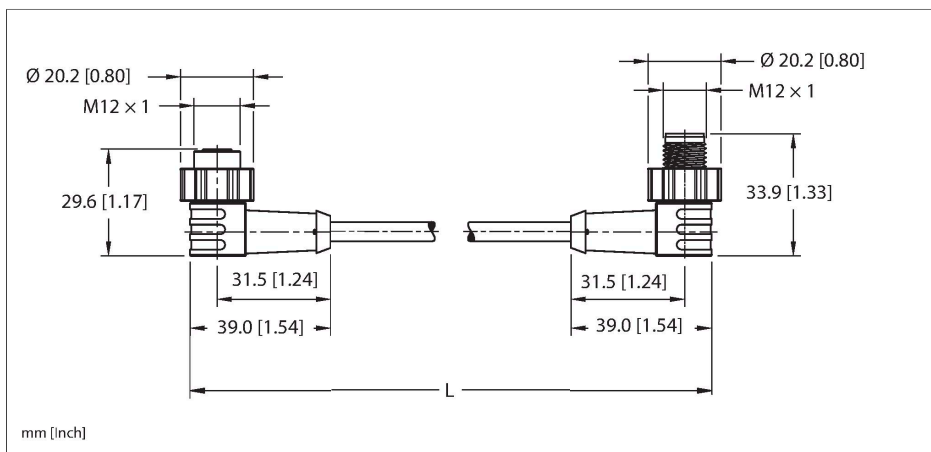


# EKWT-ESWT-A5.500-GU2K-1

## Actuator and Sensor Cordset – Extension Cable



### Technical data

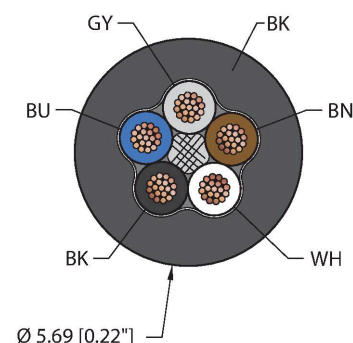
|                                 |   |
|---------------------------------|---|
| Type                            | EKWT-ESWT-A5.500-GU2K-1                                   |
| ID                              | 100021259   |
| Replaces                        | WK 4.5T-x-WS 4.5T/S90                                     |
| Connector A                     | Female, M12 × 1, Right angle, A-code                      |
| Design specification            | Acc. to IEC 61076-2-101                                   |
| Number of contacts              | 5   |
| Contacts                        | Bronze, CuSn, Gold-plated                                 |
| Contact carriers                | Plastic, Nylon or TPU, Black                              |
| Connector body                  | Plastic, TPU, Black                                       |
| Coupling nut                    | Brass, CuZn, Nickel-plated                                |
| Connector seal                  | O-ring, Plastic, FKM/FPM                                  |
| Torque sleeve                   | Plastic, PA, Yellow                                       |
| Tightening torque (range)       | 0.4 ... 1.8 Nm<br>(note max. torque of mating connector!) |
| Mechanical life                 | > 100 Mating cycles                                       |
| Pollution degree                | 3   |
| Protection class (When coupled) | IP67, IP68, IP69, IP69K<br>NEMA: 1, 3, 4, 6P, 12          |
| Connector B                     | Male, M12 × 1, Right angle, A-code                        |
| Design specification            | Acc. to IEC 61076-2-101                                   |
| Number of contacts              | 5   |
| Contacts                        | Bronze, CuSn, Gold-plated                                 |
| Contact carriers                | Plastic, Nylon or TPU, Black                              |
| Connector body                  | Plastic, TPU, Black                                       |
| Coupling nut                    | Brass, CuZn, Nickel-plated                                |

### Features



- M12, Female, Right angle, 5-pin, Torque sleeve
- M12, Male, Right angle, 5-pin, Torque sleeve
- General Purpose Cable
- TPU jacket, Black, 5X22 AWG
- Flame Ratings: UL1061, CSA FT1
- Flexlife® and C-Track Approved

### Cable cross section



### Contact assignment

## Technical data

|                                 |   |
|---------------------------------|---|
| Torque sleeve                   | Plastic, PA, Yellow                                       |
| Tightening torque               | 0.4 ... 1.8 Nm<br>(note max. torque of mating connector!) |
| Mechanical life                 | > 100 Mating cycles                                       |
| Pollution degree                | 3   |
| Protection class (When coupled) | IP67, IP68, IP69, IP69K<br>NEMA: 1, 3, 4, 6P, 12          |

| Cable data                    |   |
|-------------------------------|---|
| Cable ID                      | RF52517   |
| Total number of conductors    | 5   |
| Cable diameter                | Ø 5.69 mm   |
| Length (L)                    | 1 m, (+50mm or 4% of length/-0.0, Whichever is greater) |
| Cable jacket                  | TPU, Black  |
| Conductor diameter            | 0.054 "   |
| Conductor material            | TC (tinned copper)                                      |
| Conductor insulation material | PVC   |
| Conductor size                | 5 x 22 AWG [Similar to 0.34 mm <sup>2</sup> ]           |
| Number of strands x O.D.      | 19 x 0.0058 "   |
| Conductor colors              | BN, WH, BU, BK, GY                                      |

| Electrical properties at +20 °C |  |
|---------------------------------|--|
| Rated voltage                   | 250 V <sub>AC</sub> /300 V <sub>DC</sub> |
| Current                         | 4 A                                      |

| Mechanical and chemical properties |                    |
|------------------------------------|--------------------|
| Bending radius (static)            | ≥ 5 x Ø            |
| Bending radius (dynamic)           | ≥ 10 x Ø           |
| UL cold bend rating                | -40 °C             |
| Flex rating 20 x Ø                 | 10 million cycles* |

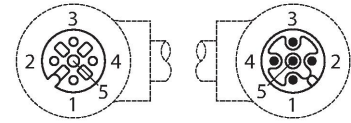
\*When properly installed @ 20°C, 50%RH, and a cycle speed of ≤0.5 cycles per second.

|                                     |                 |
|-------------------------------------|-----------------|
| C-Track                             | Yes             |
| Ambient temperature range (static)  | -40 °C...+90 °C |
| Ambient temperature range (dynamic) | 5 °C...+90 °C   |
| Temperature range (installation)    | -10 °C...+90 °C |

| Approval  |  |
|-----------|--|
| Approvals | UL 2238<br>CSA C22.2 No. 182.3<br>CE<br>UKCA<br>RoHS |

Connector A

Connector B



## Circuit Diagram



## Technical data

### Note

- Flex ratings may be reduced if used in extreme temperatures, exposure to certain chemicals, operating above the rated cycle speed, or operating below the rated cable bend radius.

- The torque sleeve can be removed, before or after installation by inserting a small flat screwdriver near the relief by the arrow and prying.

- We reserve the right to make technical alterations without prior notice.

## Accessories

### M12-TORQUE-SLEEVE,YELLOW(10PACK)

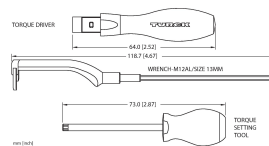
A900167



10 Pack of Yellow Torque Sleeves for the new M12 cordsets. Compatible with male, female, straight and right-angled, stainless steel and nickel-plated brass coupling nuts.

### TORQUE-WRENCH-SET-M12/SW13

A900152



Adjustable torque driver to connect to the 13mm hex. Compatible with redesigned M12 cordsets, M12 Power, and M12 X-code. NOT Compatible with legacy M12 cordsets. Includes (1) adjustable torque driver, (1) adjustment tool, and (1) 13mm forked bit.

## Accessories

### M12-CORDSETS-MOUNTING-CLIP-(10/BAG)

100016882



10 Pack of black mounting clips and M4x8mm mounting screws, used to secure cable to cable connection points.