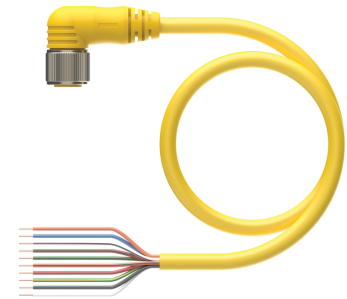
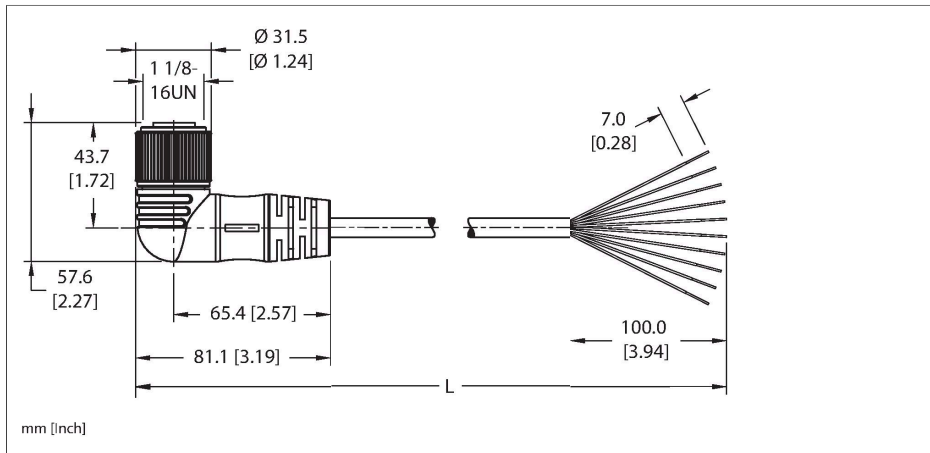


WKM 106-xM/S101

Actuator and Sensor Cordset – Right angle Female Connector



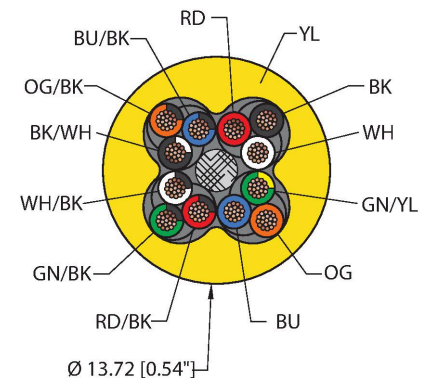
Technical data

Type	WKM 106-xM/S101
ID	777009709
Special version	S101 = Flexlife - High flex cable
Connector A	Female, 1 1/8"-16 UN, Right angle
Number of contacts	10
Contacts	Brass, CuZn, Gold-plated
Contact carriers	Plastic, TPU, Yellow
Connector body	Plastic, TPU, Yellow
Coupling nut	Brass, CuZn, Nickel-plated
Protection class (When coupled)	IP67, IP68, IP69, IP69K
	NEMA: 1, 3, 4, 6P, 12
Cable data	
Cable ID	RF51148
Total number of conductors	12
Cable diameter	Ø 13.72 mm
Cable jacket	TPE, Yellow
Conductor diameter	0.082 "
Conductor material	TC (tinned copper)
Conductor insulation material	TPC-ET
Conductor size	12 x 16 AWG [Similar to 1.50 mm ²]
Number of strands x O.D.	65 x 34 AWG
Conductor colors	OG, BU, WH/BK, RD/BK, GN/BK, OG/BK, RD, GN/YL, BK, WH

Features

-
- 1-1/8" Female, Right-angle, 10-pin
- Yellow TPE jacket, 12X16 AWG
- -40 Cold Bend Rating
- Flame Ratings: UL1061, CSA FT1
- Flexlife® and C-Track Approved

Cable cross section



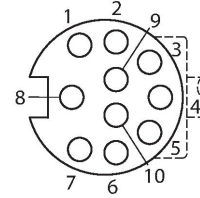
Contact assignment

WKM 106-xM/S101 | 06/07/2023 06-59 | technical changes reserved

Technical data

Electrical properties at +20 °C	
Rated voltage	600 V
Current	7 A
Mechanical and chemical properties	
Bending radius (static)	≥ 5 x Ø
Bending radius (dynamic)	≥ 10 x Ø
Torsion rating	20 million cycles *
UL cold bend rating	-40 °C
Flex rating 10 x Ø	20 million cycles *
	*When properly installed @ 20°C, 50%RH, and a cycle speed of ≤0.5 cycles per second.
C-Track	Yes
Ambient temperature range (static)	-40 °C...+105 °C
Ambient temperature range (dynamic)	5 °C...+105 °C
Temperature range (installation)	-10 °C...+105 °C
Approval	
Approvals	UL 2238 CE RoHS
Note	
	- Flex ratings may be reduced if used in extreme temperatures, exposure to certain chemicals, operating above the rated cycle speed, or operating below the rated cable bend radius.
	- We reserve the right to make technical alterations without prior notice.

Connector A



Circuit Diagram

1	OG
2	BU
3	WH/BK
4	RD/BK
5	GN/BK
6	OG/BK
7	RD
8	GN/YE
9	BK
10	WH