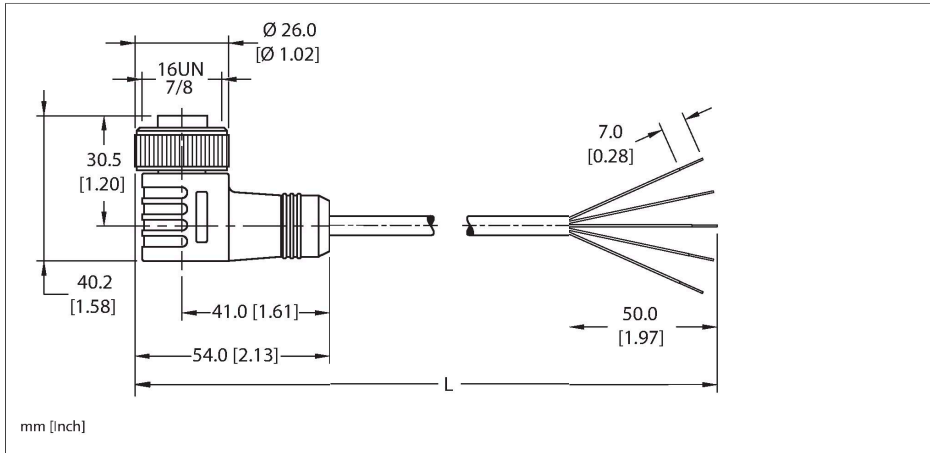


WKM 50-xM/S101 Actuator and Sensor Cordset – Connection Cable

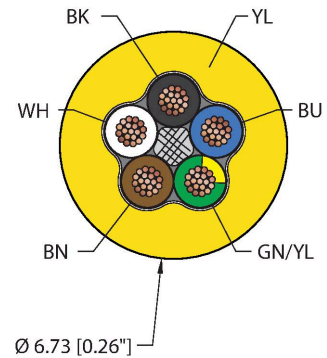


Features



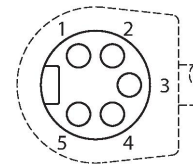
- 7/8" Female, Right-angle, 5-pin
- Flexlife™ Cable
- Yellow TPE jacket, 5X18 AWG
- -40 Cold Bend Rating
- Flame Ratings: UL1061, CSA FT1
- Flexlife® and C-Track Approved

Cable cross section

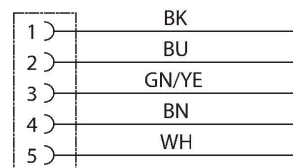


Contact assignment

Connector A



Circuit Diagram



Technical data

Type	WKM 50-xM/S101
ID	777015900
Connector A	Female, 7/8"-16 UN, Right angle
Number of contacts	5
Contacts	Brass, CuSn, Gold-plated
Contact carriers	Plastic, TPU, Yellow
Connector body	Plastic, TPU, Yellow
Coupling nut	Brass, CuZn, Nickel-plated
Mechanical life	> 100 Mating cycles
Pollution degree	3
Protection class (When coupled)	IP67, IP68, IP69, IP69K
	NEMA: 1, 3, 4, 6P, 12
Cable data	
Cable ID	RF51174
Total number of conductors	5
Cable diameter	Ø 6.73 mm
Cable jacket	TPE, Yellow
Conductor diameter	0.066 "
Conductor material	TC (tinned copper)
Conductor insulation material	TPC-ET
Conductor size	5 x 18 AWG [Similar to 0.75 mm²]
Number of strands x O.D.	65 x 36 AWG
Conductor colors	BK, BU, GN/YL, BN, WH

Technical data

Electrical properties at +20 °C	
Rated voltage	600 V
Current	9 A
Mechanical and chemical properties	
Bending radius (static)	≥ 5 x Ø
Bending radius (dynamic)	≥ 10 x Ø
Torsion rating	20 million cycles *
UL cold bend rating	-40 °C
Flex rating 10 x Ø	20 million cycles *
	*When properly installed @ 20°C, 50%RH, and a cycle speed of ≤0.5 cycles per second.
C-Track	Yes
Ambient temperature range (static)	-40 °C...+105 °C
Ambient temperature range (dynamic)	5 °C...+105 °C
Temperature range (installation)	-10 °C...+105 °C
Approval	
Approvals	UL 2238 CSA C22.2 No. 182.3 CE RoHS
Note	
	- Flex ratings may be reduced if used in extreme temperatures, exposure to certain chemicals, operating above the rated cycle speed, or operating below the rated cable bend radius.
	- We reserve the right to make technical alterations without prior notice.