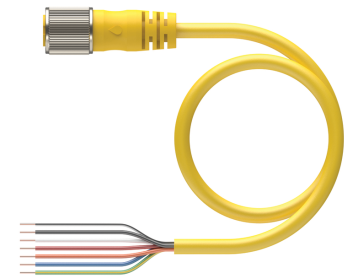
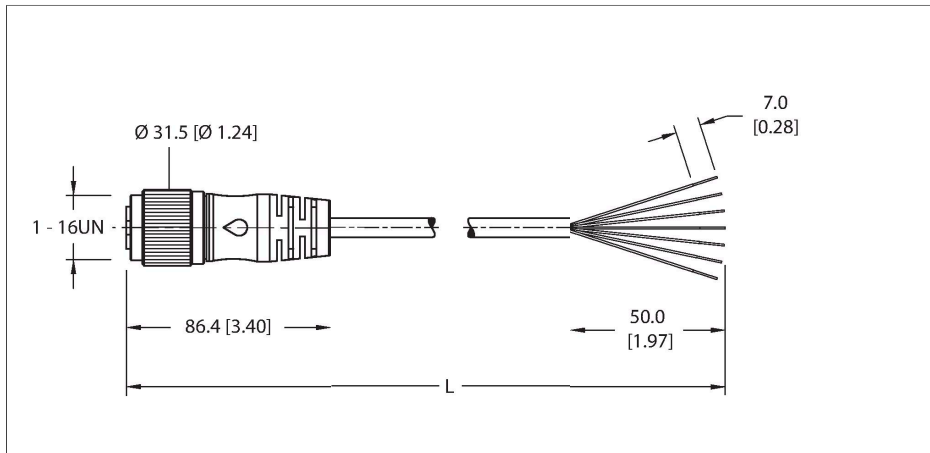


RKM 76-xM/S101

Actuator and Sensor Cordset – Connection Cable



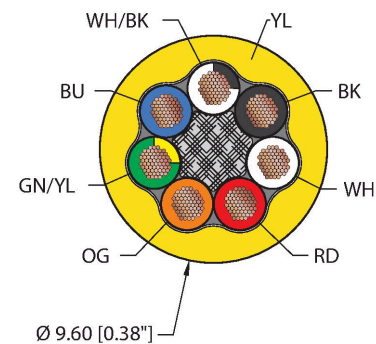
Technical data

Type	RKM 76-xM/S101
ID	777006444
Connector A	Female, 1"-16 UN, Straight
Number of contacts	7
Contacts	Brass, CuZn, Gold-plated
Contact carriers	Plastic, TPU, Yellow
Connector body	Plastic, TPU, Yellow
Coupling nut	Brass, CuZn, Nickel-plated
Protection class (When coupled)	IP67, IP68, IP69, IP69K
	NEMA: 1, 3, 4, 6P, 12
Cable data	
Cable ID	RF51049
Total number of conductors	7
Cable diameter	Ø 9.6 mm
Cable jacket	TPE, Yellow
Conductor diameter	0.082 "
Conductor material	BC (bare copper)
Conductor insulation material	TPC-ET
Conductor size	7 x 16 AWG [Similar to 1.50 mm ²]
Number of strands x O.D.	65 x 34 AWG
Conductor colors	WH/BK, BK, WH, RD, OG, BU, GN/YE
Electrical properties at +20 °C	
Rated voltage	600 V
Current	8 A

Features

-
- 1" Female, Straight, 7-pin
- Yellow TPE jacket, 7X16 AWG
- -40 Cold Bend Rating
- Flame Ratings: UL1061, CSA FT1
- Flexlife® and C-Track Approved

Cable cross section

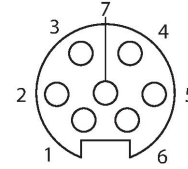


Contact assignment

Technical data

Mechanical and chemical properties	
Bending radius (static)	$\geq 5 \times \varnothing$
Bending radius (dynamic)	$\geq 10 \times \varnothing$
Torsion rating	20 million cycles *
UL cold bend rating	-40 °C
Flex rating 10 x \varnothing	20 million cycles *
	*When properly installed @ 20°C, 50%RH, and a cycle speed of ≤ 0.5 cycles per second.
C-Track	Yes
Ambient temperature range (static)	-40 °C...+105 °C
Ambient temperature range (dynamic)	5 °C...+105 °C
Temperature range (installation)	-10 °C...+105 °C
Approval	
Approvals	CE RoHS UL Listed UL 2238
Note	
	- Flex ratings may be reduced if used in extreme temperatures, exposure to certain chemicals, operating above the rated cycle speed, or operating below the rated cable bend radius.
	- We reserve the right to make technical alterations without prior notice.

Connector A



Circuit Diagram

