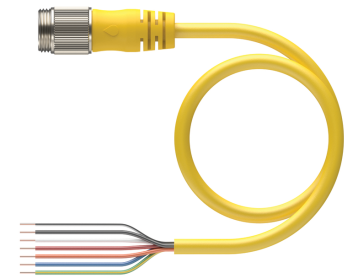
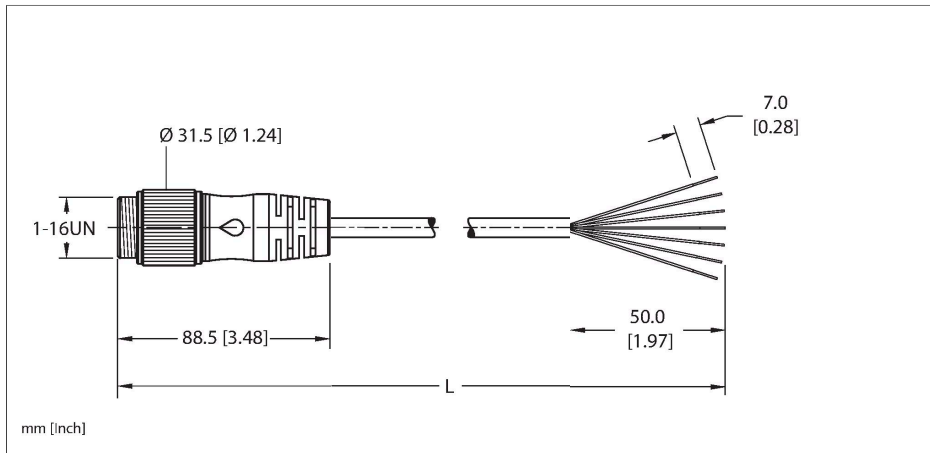


RSM 76-xM/S90

Actuator and Sensor Cordset – Connection Cable



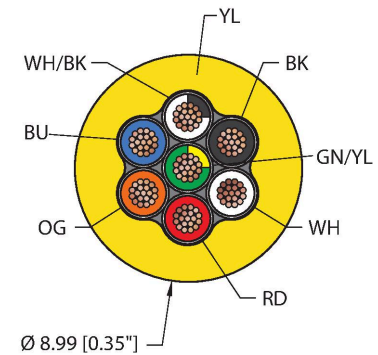
Technical data

Type	RSM 76-xM/S90
ID	777006442
Special version	S90 = TPU cable jacket
Connector A	Male, 1"-16 UN, Straight
Number of contacts	7
Contacts	Brass, CuZn, Gold-plated
Contact carriers	Plastic, TPU, Yellow
Connector body	Plastic, TPU, Yellow
Coupling nut	Brass, CuZn, Nickel-plated
Protection class (When coupled)	IP67, IP68, IP69, IP69K
	NEMA: 1, 3, 4, 6P, 12
Cable data	
Total number of conductors	7
Cable diameter	Ø 8.99 mm
Cable jacket	TPU, Yellow
Conductor diameter	0.088 "
Conductor material	TC (tinned copper)
Conductor insulation material	PVC
Conductor size	7 x 16 AWG [Similar to 1.50 mm ²]
Number of strands x O.D.	19 x 0.0117 "
Conductor colors	WH/BK, BK, WH, RD, OG, BU, GN/YE
Electrical properties at +20 °C	
Rated voltage	600 V
Current	8 A

Features

-
- 1" Male, Straight, 7-pin
- General Purpose Cable
- Yellow TPU jacket, 7X16 AWG
- -40 Cold Bend Rating
- Flame Ratings: UL1061, CSA FT1

Cable cross section



Contact assignment

Technical data

Mechanical and chemical properties

Bending radius (static)	$\geq 5 \times \varnothing$
Bending radius (dynamic)	$\geq 10 \times \varnothing$
UL cold bend rating	-40 °C
Ambient temperature range (static)	-40 °C...+90 °C
Ambient temperature range (dynamic)	5 °C...+90 °C
Temperature range (installation)	-10 °C...+90 °C

Approval

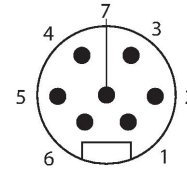
Approvals	UL 2238 CE RoHS
-----------	-----------------------

Note

- Flex ratings may be reduced if used in extreme temperatures, exposure to certain chemicals, operating above the rated cycle speed, or operating below the rated cable bend radius.

- We reserve the right to make technical alterations without prior notice.

Connector A



Circuit Diagram

