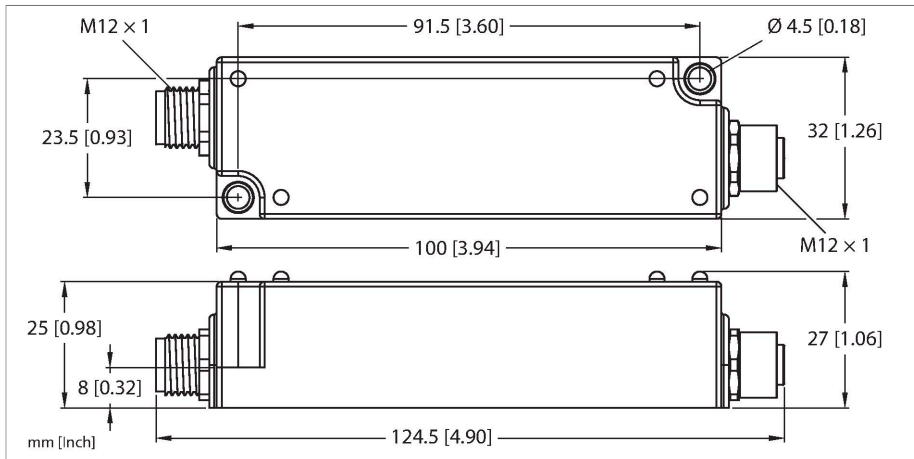


TBSB-I1-CS04

Machine Safety – Decoupling Box



Technical data

Type	TBSB-I1-CS04
ID no.	100012761
Function	for RFID safety switches
Ambient temperature	-25...+40 °C
Storage temperature	-25...+50 °C
Protection class	IP67
Vibration resistance	Acc. to EN 60068-2-6 Acceleration up to 2 g
Shock test	acc. to EN 60068-2-27
Approvals	CE
Safety Data	
PL acc. to DIN EN 13849-1:2008	e
Category acc. to DIN EN 13849-1:2008	4
SIL according IEC 61508	3
Useful Lifetime	20 years

Features

- Polycarbonate/ABS
- IP67
- Input connector M12 A coded for safety-related decoupling of OSSD outputs via mechanical contacts
- Electromechanical switch box for decoupling OSSD signals with potential-free contacts
- Switching off of outputs, M12 X1 input PIN 4 and PIN 2 via external safety module
- EDM feedback circuit for monitoring, M12 output PIN 5 via external safety module
- Shutdown with potential-free contacts up to PLe according to EN ISO 13849-1 via M12 X2 contact 1 PIN 1 and PIN 4, contact 2 PIN 2 and PIN 5