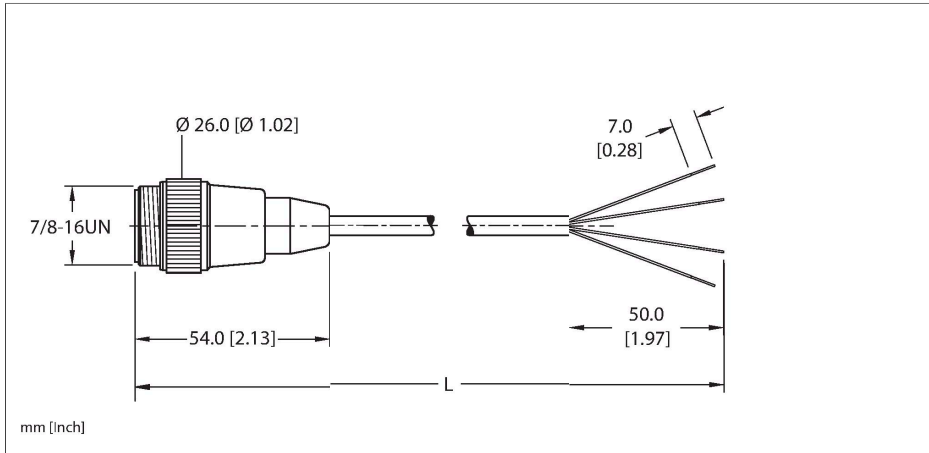


RSM 40-xM

Actuator and Sensor Cordset – Connection Cable



Features

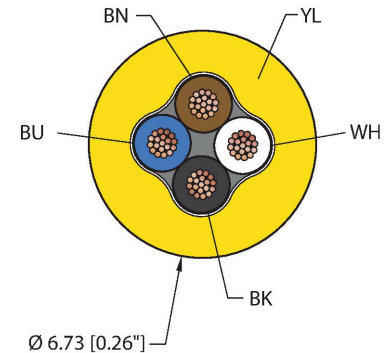


- 7/8" Male, Straight, 4-pin
- Instrumentation Tray Cable
- Yellow PVC jacket, 4X18 AWG
- Sunlight Resistant
- -40 Cold Bend Rating
- Oil Resistant
- Flame Ratings: UL 1685 FT4, UL1061, CSA FT4
- Flexlife® and C-Track Approved

Technical data

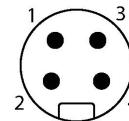
| | |
|---------------------------------|----------------------------------|
| Type | RSM 40-xM |
| ID | 777000169 |
| Connector A | Male, 7/8"-16 UN, Straight |
| Number of contacts | 4 |
| Contacts | Brass, CuZn, Gold-plated |
| Contact carriers | Plastic, TPU, Black |
| Connector body | Plastic, TPU, Yellow |
| Coupling nut | Brass, CuZn, Nickel-plated |
| Mechanical life | > 100 Mating cycles |
| Pollution degree | 3 |
| Protection class (When coupled) | IP67, IP68, IP69, IP69K |
| | NEMA: 1, 3, 4, 6P, 12 |
| Cable data | |
| Cable ID | RF50548 |
| Total number of conductors | 4 |
| Cable diameter | Ø 6.73 mm |
| Cable jacket | PVC, Yellow |
| Conductor diameter | 0.076 " |
| Conductor material | TC (tinned copper) |
| Conductor insulation material | PVC |
| Conductor size | 4 x 18 AWG [Similar to 0.75 mm²] |
| Number of strands x O.D. | 19 x 0.0092 " |
| Conductor colors | BN, WH, BU, BK |

Cable cross section



Contact assignment

Connector A



Technical data

| Electrical properties at +20 °C | |
|-------------------------------------|--|
| Rated voltage | 600 V |
| Current | 9 A |
| Mechanical and chemical properties | |
| Bending radius (static) | ≥ 5 x Ø |
| Bending radius (dynamic) | ≥ 10 x Ø |
| UL cold bend rating | -40 °C |
| Flex rating 20 x Ø | 10 million cycles* |
| | *When properly installed @ 20°C, 50%RH, and a cycle speed of ≤0.5 cycles per second. |
| C-Track | Yes |
| Ambient temperature range (static) | -40 °C...+105 °C |
| Ambient temperature range (dynamic) | 5 °C...+105 °C |
| Temperature range (installation) | -10 °C...+105 °C |
| Approval | |
| Approvals | UL 2238 CSA C22.2 No. 182.3 CE UKCA RoHS |
| Note | |
| | - Flex ratings may be reduced if used in extreme temperatures, exposure to certain chemicals, operating above the rated cycle speed, or operating below the rated cable bend radius. |
| | - We reserve the right to make technical alterations without prior notice. |

Circuit Diagram

