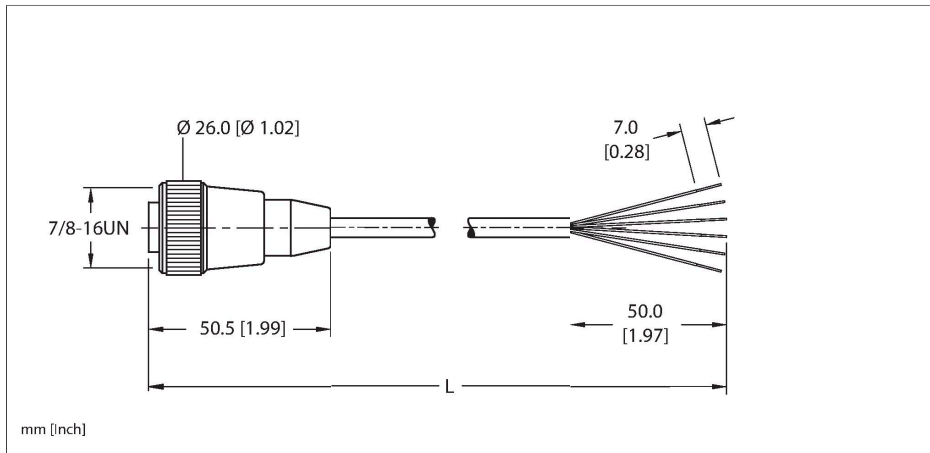


RKM 61-xM

Actuator and Sensor Cordset – Connection Cable

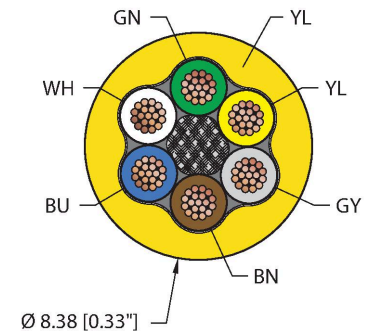


Features



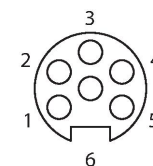
- 7/8" Female, Straight, 6-pin
- Instrumentation Tray Cable
- Yellow PVC jacket, 6X18 AWG
- Sunlight Resistant
- -40 Cold Bend Rating
- Oil Resistant
- Flame Ratings: UL 1685 FT4, UL1061, CSA FT4

Cable cross section



Contact assignment

Connector A



Technical data

Type	RKM 61-xM
ID	777001037
Connector A	Female, 7/8"-16 UN, Straight
Number of contacts	6
Contacts	Brass, CuSn, Gold-plated
Contact carriers	Plastic, TPU, Yellow
Connector body	Plastic, TPU, Yellow
Coupling nut	Brass, CuZn, Nickel-plated
Mechanical life	> 100 Mating cycles
Pollution degree	3
Protection class (When coupled)	IP67, IP68, IP69, IP69K
	NEMA: 1, 3, 4, 6P, 12
Cable data	
Cable ID	RF50575
Total number of conductors	6
Cable diameter	Ø 8.38 mm
Cable jacket	PVC, Yellow
Conductor diameter	0.076 "
Conductor material	TC (tinned copper)
Conductor insulation material	PVC
Conductor size	6 x 18 AWG [Similar to 0.75 mm ²]
Number of strands x O.D.	19 x 0.0092 "
Conductor colors	GN, WH, BU, GY, YE, BN

Technical data

Electrical properties at +20 °C	
Rated voltage	600 V
Current	8 A
Mechanical and chemical properties	
Bending radius (static)	≥ 5 x Ø
Bending radius (dynamic)	≥ 10 x Ø
UL cold bend rating	-40 °C
Ambient temperature range (static)	-40 °C...+105 °C
Ambient temperature range (dynamic)	5 °C...+105 °C
Temperature range (installation)	-10 °C...+105 °C
Approval	
Approvals	UL 2238 CSA C22.2 No. 182.3 CE RoHS
Note	
<p>- Flex ratings may be reduced if used in extreme temperatures, exposure to certain chemicals, operating above the rated cycle speed, or operating below the rated cable bend radius.</p> <p>- We reserve the right to make technical alterations without prior notice.</p>	

Circuit Diagram

